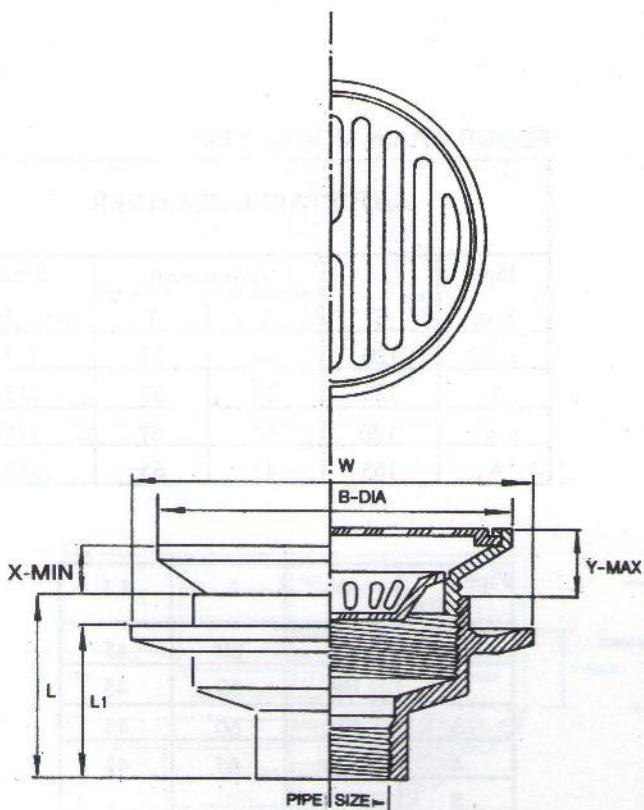


**FLOOR DRAIN MODEL 224B**

**ADJUSTABLE STRAINER**

Pipe Size	B	Adjustment		Free Area (cm <sup>2</sup> )
		X	Y	
1 1/2	122	17	33	126.6
2	122	17	33	126.6
2 1/2	122	17	33	126.6
3	121	17	33	126.6
4	157	22	47	189.9
5				
6				

Pipe Size	W	W1	L	L1
1 1/2	131	37	69	55
2	131	37	69	55
2 1/2	131	37	69	55
3	131	37	69	55
4	177	56	81	65
5				
6				



**FLOOR DRAIN MODEL 224P**

**ADJUSTABLE STRAINER**

Pipe Size	B	Adjustment		Free Area (cm <sup>2</sup> )
		X	Y	
1 1/2	122	17	33	126.6
2	122	17	33	126.6
2 1/2	122	17	33	126.6
3	122	17	33	126.6
4	157	22	47	189.9

Pipe Size	W	L	L1
1 1/2	131	70	57
2	131	70	57
2 1/2	131	70	57
3	131	70	57
4	177	81	67
5			
6			

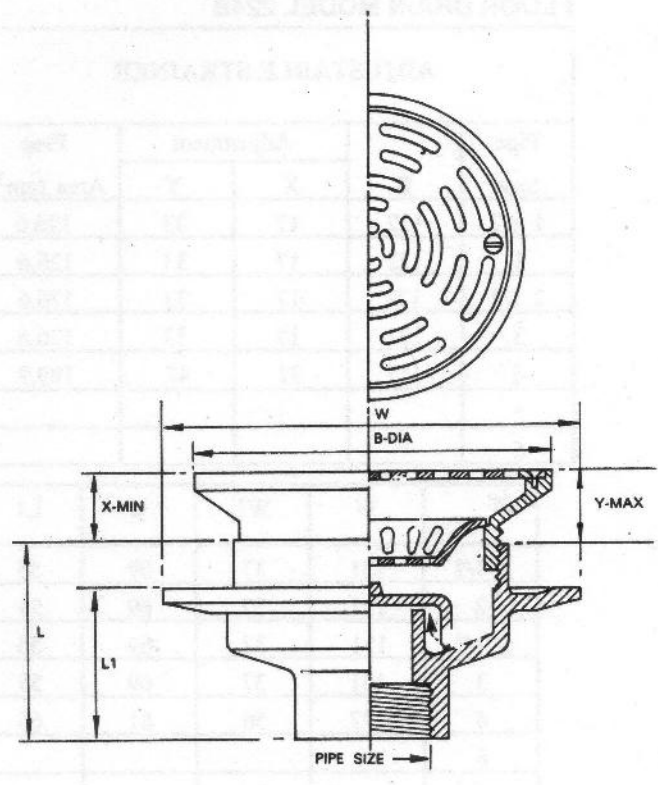


FLOOR DRAIN MODEL 225

ADJUSTABLE STRAINER

Pipe Size	B	Adjustment		Free Area (cm <sup>2</sup> )
		X	Y	
2	120	23	32	115
2 1/2				
3				
4				

Pipe Size	W	L	L1
2	151	98	75
2 1/2			
3			
4			
5			
6			

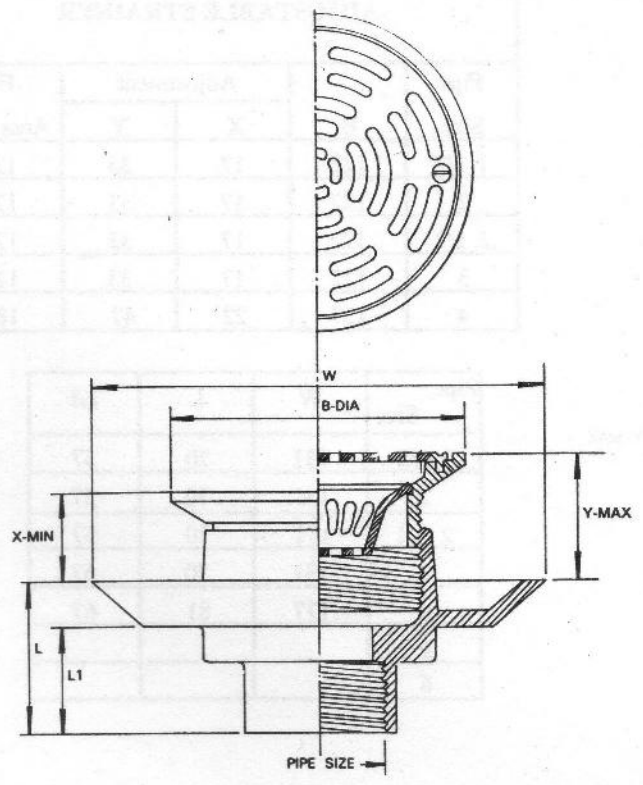


FLOOR DRAIN MODEL 230P

ADJUSTABLE STRAINER

Pipe Size	B	Adjustment		Free Area (cm <sup>2</sup> )
		X	Y	
1 1/2	120	44	57	115
2	120	44	57	115
3	120	44	57	115
4	165	43	65	216

Pipe Size	W	L	L1
1 1/2	196	60	45
2	196	60	45
3	196	60	45
4	220	65	48
5			
6			





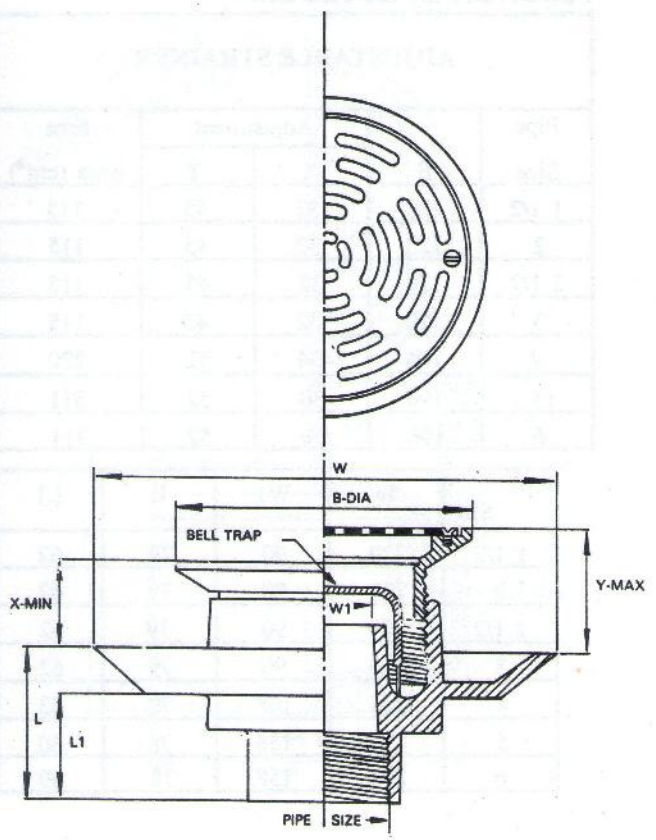
**FLOOR DRAIN**

**FLOOR DRAIN MODEL 230B**

**ADJUSTABLE STRAINER**

Pipe Size	B	Adjustment		Free Area (cm <sup>2</sup> )
		X	Y	
1 1/2	120	45	60	115
2	120	45	60	115
3	120	45	60	115
4	166	46	67	216

Pipe Size	W	W1	L	L1
1 1/2	194	41	60	46
2	194	41	60	46
3	194	41	60	46
4	221	65	67	49
5				
6				

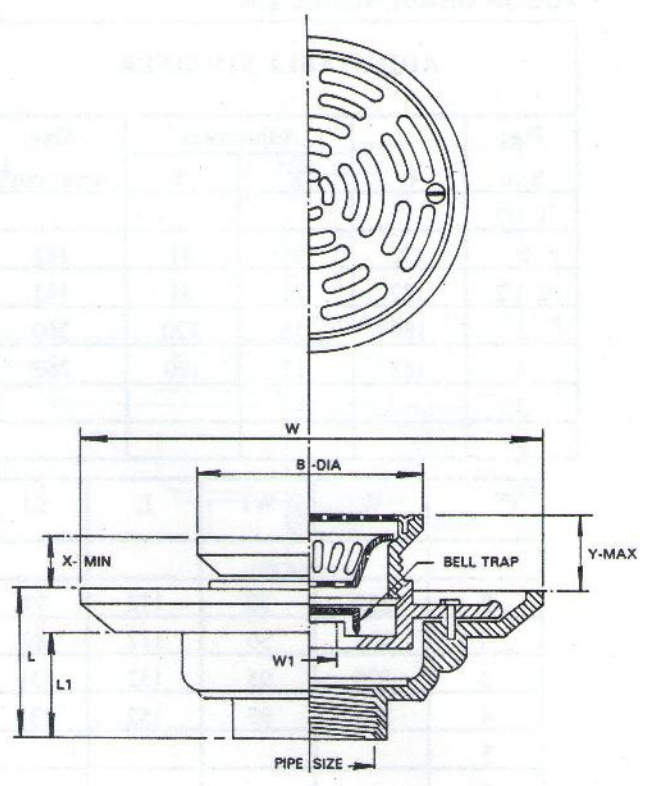


**FLOOR DRAIN MODEL 232B**

**ADJUSTABLE STRAINER**

Pipe Size	B	Adjustment		Free Area (cm <sup>2</sup> )
		X	Y	
1 1/2	120	58	68	115
2	120	58	68	115
2 1/2	120	58	68	115
3	120	58	68	115
4	197	65	85	254.5
5	197	65	85	254.5
6	197	65	85	254.5

Pipe Size	W	W1	L	L1
1 1/2	228	47	78	61
2	228	47	78	61
2 1/2	228	47	78	61
3	228	47	78	61
4	270	95	78	61
5	270	95	79	60
6	270	95	79	60

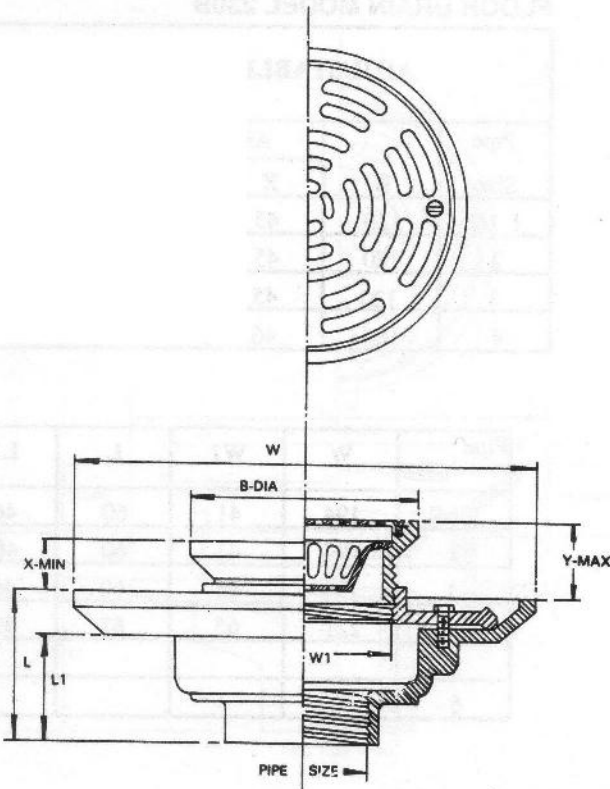


**FLOOR DRAIN MODEL 233P**

**ADJUSTABLE STRAINER**

Pipe Size	B	Adjustment		Free Area (cm <sup>2</sup> )
		X	Y	
1 1/2	120	32	45	115
2	120	32	45	115
2 1/2	120	32	45	115
3	120	32	45	115
4	166	34	51	220
5	196	30	52	311
6	196	30	52	311

Pipe Size	W	W1	L	L1
1 1/2	229	90	79	62
2	229	90	79	62
2 1/2	229	90	79	62
3	229	90	79	62
4	224	108	79	63
5	271	158	78	60
6	271	158	78	60

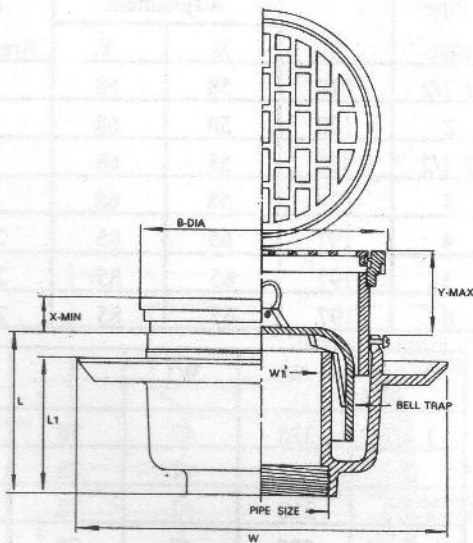


**FLOOR DRAIN MODEL 234**

**ADJUSTABLE STRAINER**

Pipe Size	B	Adjustment		Free Area (cm <sup>2</sup> )
		X	Y	
1 1/2				
2	132	21	81	143
2 1/2	132	21	81	143
3	182	15	120	260
4	182	15	120	260
5				
6				

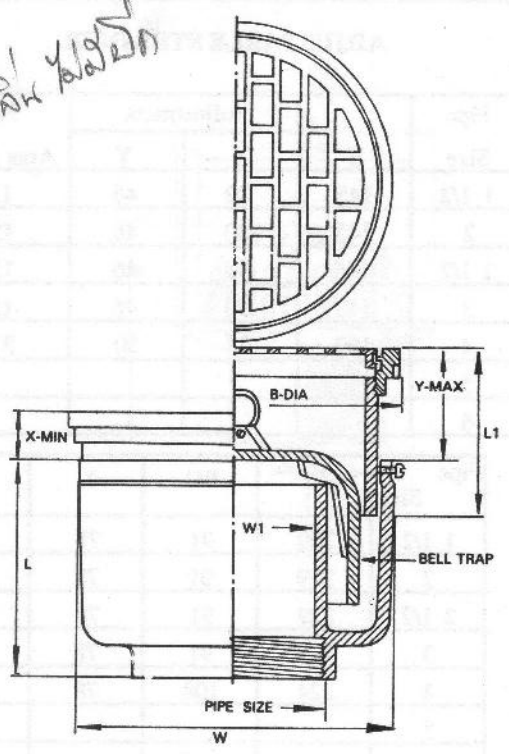
Pipe Size	W	W1	L	L1
1 1/2				
2	222	50	112	89
2 1/2	222	50	112	89
3	325	95	152	131
4	325	95	152	131
5				
6				





**FLOOR DRAIN**

*Handwritten note:* 0.01/0.02/0.03/0.04/0.05/0.06/0.07/0.08/0.09/0.10



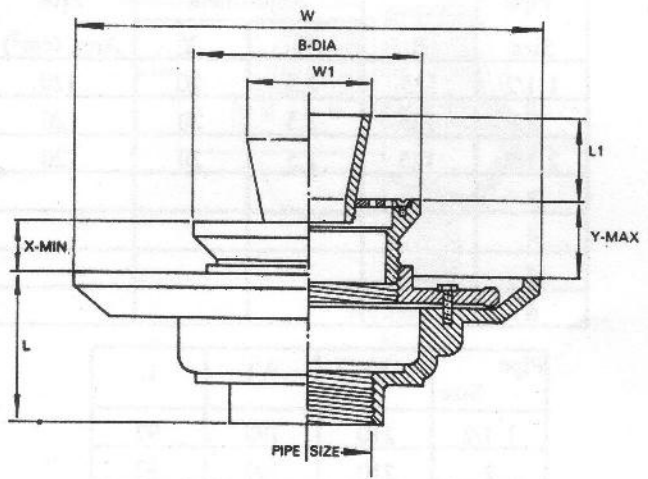
**FLOOR DRAIN MODEL 235**

ADJUSTABLE STRAINER				
Pipe Size	B	Adjustment		Free Area (cm <sup>2</sup> )
		X	Y	
1 1/2				
2	132	21	81	143
2 1/2	132	21	81	143
3	182	15	120	260
4	182	15	120	260
5				
6				

Pipe Size	W	W1	L	L1
1 1/2				
2	132	50	109	92
2 1/2	132	50	109	92
3	207	95	152	125
4	207	95	152	125
5				
6				

**FUNNEL FLOOR DRAIN MODEL 236**

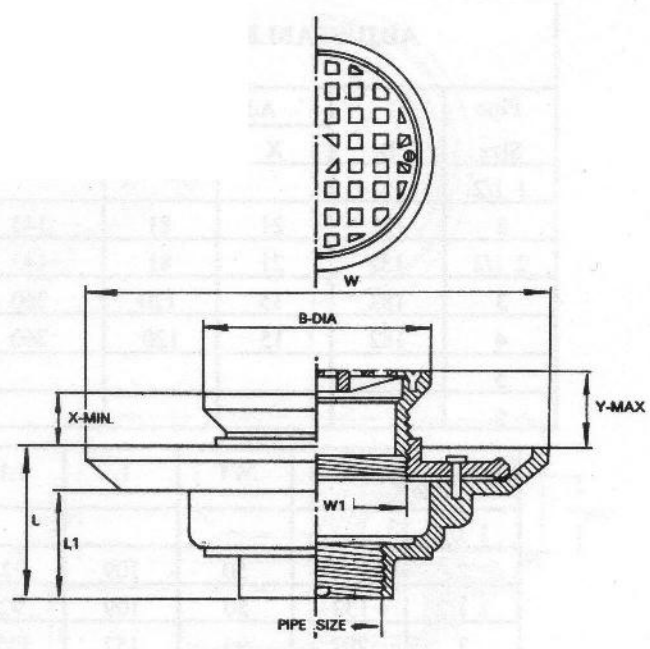
ADJUSTABLE STRAINER				
Pipe Size	B	Adjustment		Free Area (cm <sup>2</sup> )
		X	Y	
1 1/2	134	27	53	101
2	134	27	53	101
2 1/2	134	27	53	101
3	134	27	53	101
4	166	32	50	178
5				
6				



Pipe Size	W	W1	L	L1
1 1/2	229	108	78	97
2	229	108	78	97
2 1/2	229	108	78	97
3	229	108	78	97
4	223	127	78	138
5				
6				



FLOOR DRAIN MODEL 237

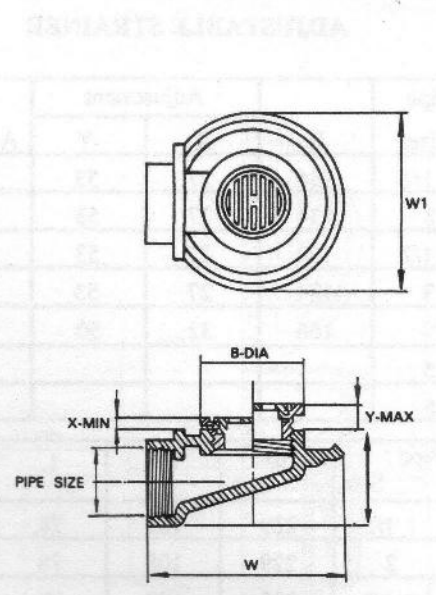


AREA DRAIN MODEL 237

Pipe Size	B	Adjustment		Free Area (cm <sup>2</sup> )
		X	Y	
1 1/2	145	30	46	156
2	145	30	46	156
2 1/2	145	30	46	156
3	145	30	46	156
4	197	28	50	311
5				
6				

Pipe Size	W	W1	L	L1
1 1/2	229	91	78	61
2	229	91	78	61
2 1/2	229	91	78	61
3	229	91	78	61
4	224	108	78	62
5				
6				

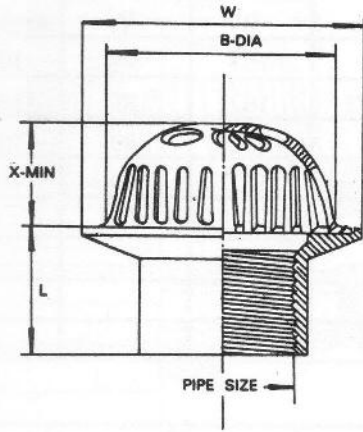
FLOOR DRAIN MODEL 238



FLOOR DRAIN MODEL 238

Pipe Size	B	Adjustment		Free Area (cm <sup>2</sup> )
		X	Y	
1 1/2	125	2.5	20	120
2	125	2.5	20	120
2 1/2	125	2.5	20	120
3				
4				
5				
6				

Pipe Size	W	W1	L
1 1/2	210	197	92
2	210	197	92
2 1/2	210	197	92
3			
4			
5			
6			

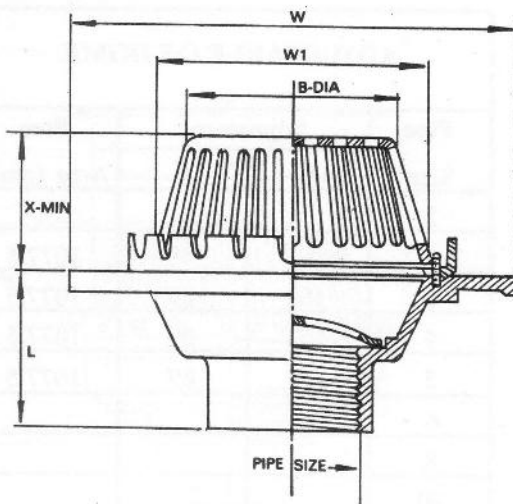


**PLANTING AREA DRAIN MODEL 321**

**ADJUSTABLE OF DOME**

Pipe Size	Adjustment		Free Area (cm <sup>2</sup> )
	B	X	
1 1/2	96	40	87
2	96	40	87
2 1/2	96	40	87
3	96	40	87
4	134	49	120

Pipe Size	W	L
1 1/2	119	44
2	119	44
2 1/2	119	44
3	119	44
4	164	45
5		
6		



**ROOF DRAIN MODEL 324**

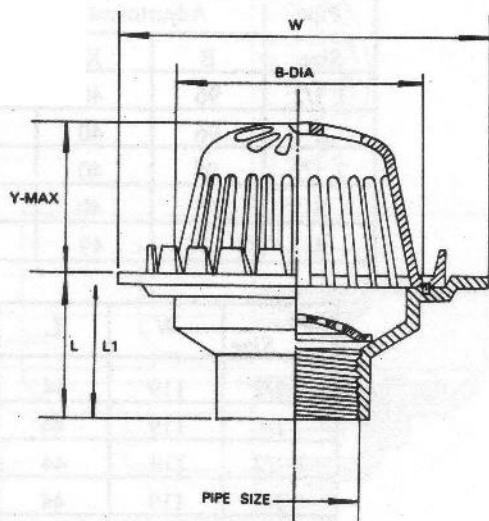
**ADJUSTABLE OF DOME**

Pipe Size	Adjustment		Free Area (cm <sup>2</sup> )
	B	X	
2	143	95	1607
2 1/2	143	95	1607
3	143	95	1607
4	175	119	3476
5	175	119	3476
6	175	119	3476
8			

Pipe Size	W	W1	L
2	250	160	100
2 1/2	250	160	100
3	250	160	100
4	293	200	140
5	293	200	140
6	293	200	140
8			

PLASTING AREA DRAIN MODEL 325

ADJUSTABLE OF DOME



ROOF DRAIN MODEL 325

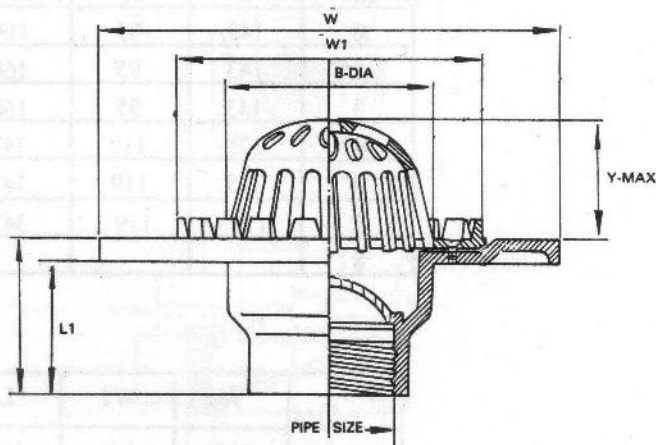
ADJUSTABLE OF DOME

Pipe Size	Adjustment		Free Area (cm <sup>2</sup> )
	B	Y	
2	162	89	1077.5
2 1/2	162	89	1077.5
3	162	89	1077.5
4	162	89	1077.5
5			
6			
8			
10			

Pipe Size	W	L	L1
2	231	89	84
2 1/2	231	89	84
3	231	89	84
4	231	89	84
5			
6			
8			

ROOF DRAIN MODEL 326

ADJUSTABLE OF DOME



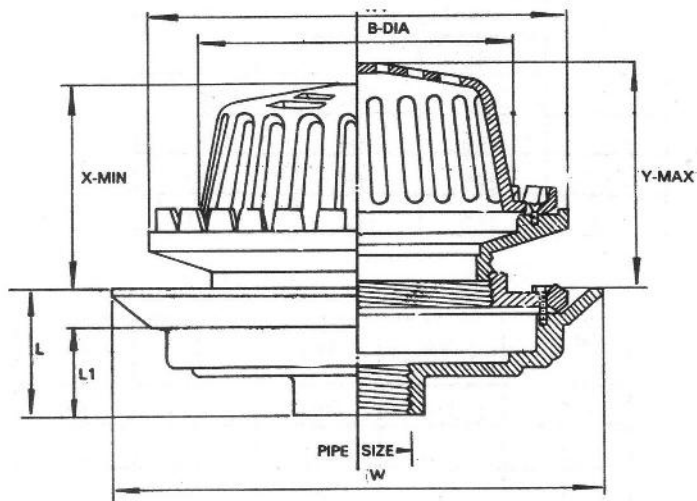
ROOF DRAIN MODEL 326

ADJUSTABLE OF DOME

Pipe Size	Adjustment		Free Area (cm <sup>2</sup> )
	B	Y	
2			
2 1/2	162	89	1077.5
3	162	89	1077.5
4	162	89	1077.5
5	162	89	1077.5
6			
8			
10			

Pipe Size	W	W1	L	L1
2	266	202	94	81
2 1/2	266	202	94	81
3	266	202	94	81
4	266	202	94	81
5				
6				
8				

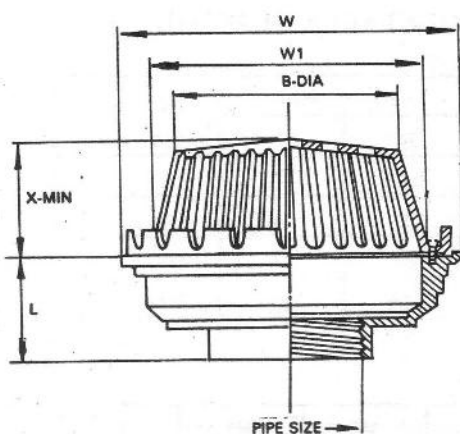




**ROOF DRAIN MODEL 327**

Pipe Size	B	Adjustment		Free Area (cm <sup>2</sup> )
		X	Y	
2	185	124	142	1928
2 1/2	185	124	142	1928
3	185	124	142	1928
4	185	124	142	1928
5	246	150	195	4300
6	246	150	195	4300
8	246	150	195	4300

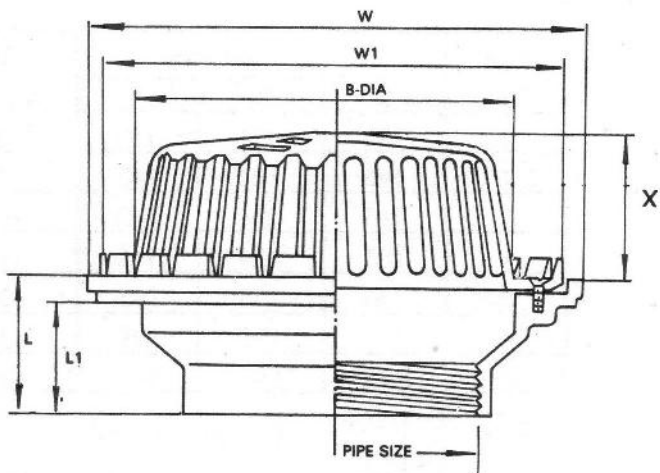
Pipe Size	W	W1	L	L1
2	275	249	78	60
2 1/2	275	249	78	60
3	275	249	78	60
4	275	249	78	60
5	331	309	105	80
6	331	309	105	80
8	331	309	105	80



**ROOF DRAIN MODEL 329 -1**

Pipe Size	Adjustment		Free Area (cm <sup>2</sup> )
	B	X	
2	160	82	2023
2 1/2	160	82	2023
3	160	82	2023
4	160	82	2023

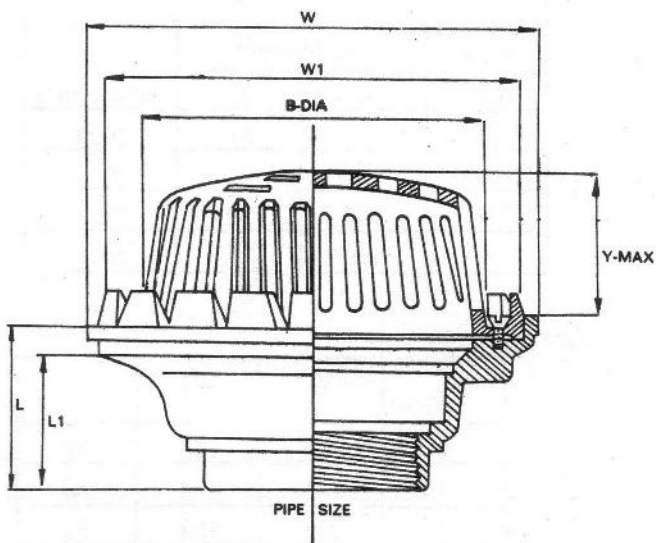
Pipe Size	W	W1	L
2	243	184	88
2 1/2	243	184	88
3	243	184	88
4	243	184	88



ROOF DRAIN MODEL 329-2

ADJUSTABLE OF DOME			
Pipe Size	Adjustment		Free Area (cm <sup>2</sup> )
	B	X	
5	245	104	3900
6	245	104	3900
8	245	104	3900
10	245	122	6570

Pipe Size	W	W1	L	L1
5	310	288	99	85
6	310	288	99	85
8	310	288	110	93
10	420	382	150	131

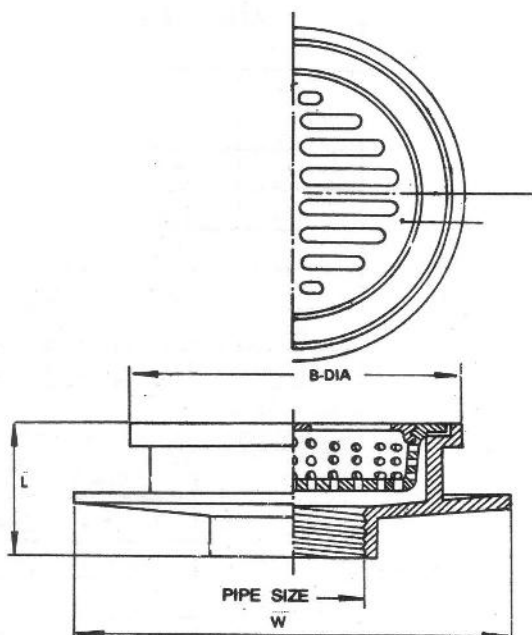


ROOF DRAIN MODEL 329 -A

ADJUSTABLE OF DOME			
Pipe Size	Adjustment		Free Area (cm <sup>2</sup> )
	B	Y	
2	145	75	1917
2 1/2	145	75	1917
3	145	75	1917
4	145	75	1917

Pipe Size	W	W1	L	L1
2	220	196	74	64
2 1/2	220	196	74	64
3	220	196	74	64
4	220	196	74	64

## WIDE FLANGED ROOF DRAIN MODEL 332

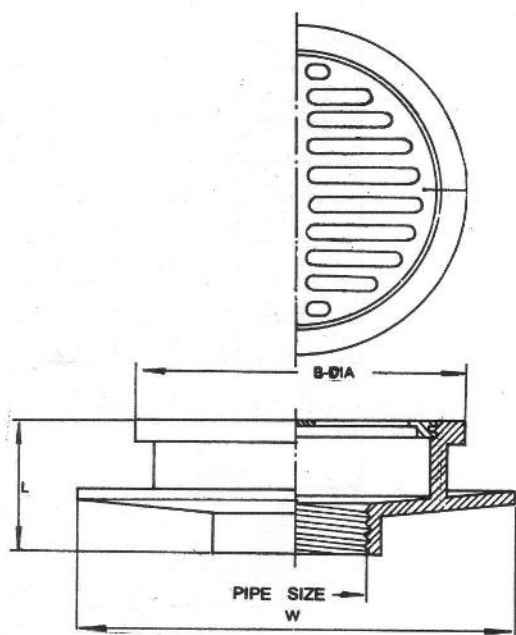


### ADJUSTABLE STRAINER

Pipe Size	B	Free Area (cm <sup>2</sup> )
1 1/2	229	451
2	229	451
2 1/2	229	451
3	229	451
4	229	451
5	229	451
6	229	451

Pipe Size	W	L
1 1/2	131	109
2	131	109
2 1/2	131	109
3	131	109
4	131	109
5	131	109
6	131	109

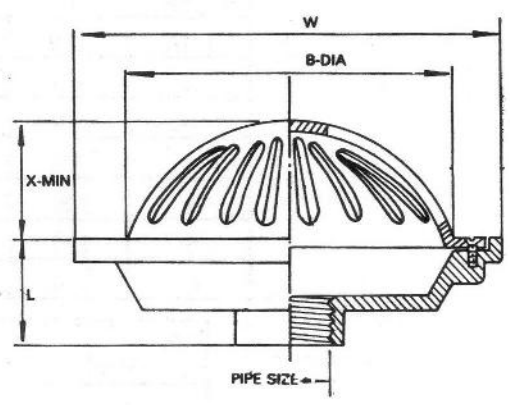
## WIDE FLANGED ROOF DRAIN MODEL 333



### ADJUSTABLE STRAINER

Pipe Size	B	Free Area (cm <sup>2</sup> )
1 1/2	230	450
2	230	450
2 1/2	230	450
3	230	450
4	230	450
5	230	450
6	230	450

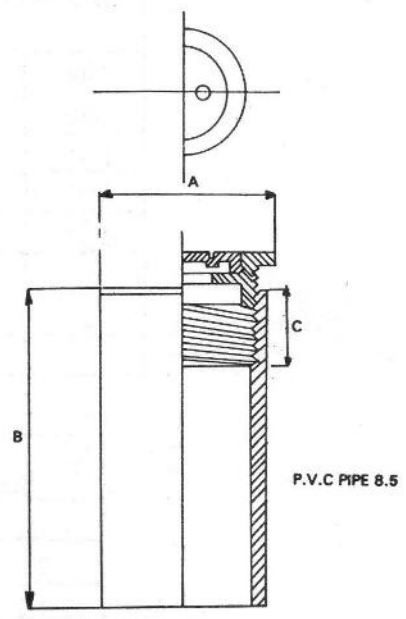
Pipe Size	W	L
1 1/2	312	111
2	312	111
2 1/2	312	111
3	312	111
4	312	111
5	312	111
6	312	111



**ROOF DRAIN MODEL 334**

ADJUSTABLE OF DOME			
Pipe Size	B	X	Free Area (cm <sup>2</sup> )
2 1/2	228	90	1988
3	228	90	1988
4	228	90	1988
5	228	90	1988
6	228	90	1988
8	228	90	1988

Pipe Size	W	L
2 1/2	288	90
3	288	90
4	288	90
5	288	90
6	288	90
8	288	90



**FLOOR CLEANOUT P.V.C**

ADJUSTABLE OF DOME			
Pipe Size	B	X	Free Area (cm <sup>2</sup> )
2	143	96	1607
2 1/2	143	96	1607
3	143	96	1607
4	143	96	1607
5	143	123	3476
6	143	123	3476

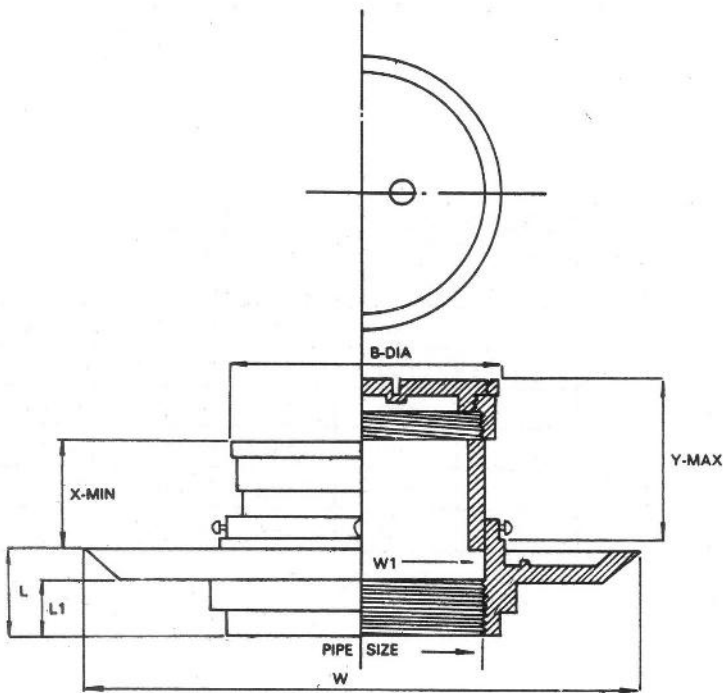
Pipe Size	W	W1	L
2	249	166	102
2 1/2	249	166	102
3	249	166	102
4	294	205	139
5	294	205	139
6	294	205	139

**FLOOR CLEANOUT MODEL 422**

**ADJUSTABLE STRAINER**

Pipe Size	B	Adjustment	
		X	Y
2	68	66	75
2 1/2	85	60	88
3	98	70	80
4	122	73	95
5	180	122	149
6	180	122	149

Pipe Size	W	W1	L	L1
1 1/2	160	61	75	61
2	160	61	75	61
2 1/2	227	70	84	70
3	227	70	84	70
4	227	70	84	70
5	270	159	79	61
6	270	159	79	61
8	330	158	104	80

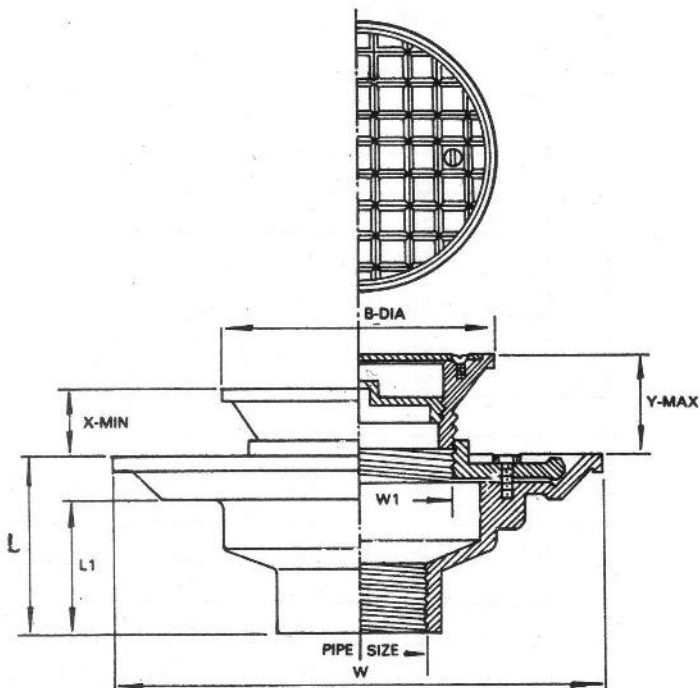


**FLOOR CLEANOUT MODEL 424**

**ADJUSTABLE STRAINER**

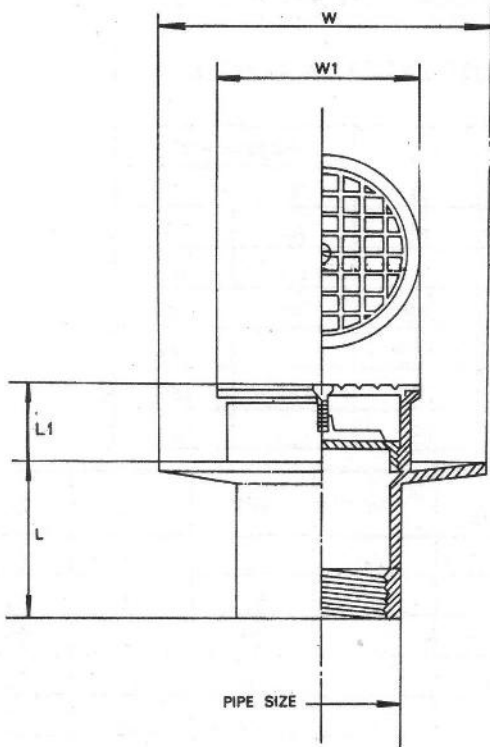
Pipe Size	B	Adjustment	
		X	Y
1 1/2	95	25	45
2	95	25	45
2 1/2	139	40	58
3	139	40	58
4	139	40	58
5	221	40	82
6	221	40	82
8	221	40	82

Pipe Size	W	W1	L	L1
2	198	64	35	22.5
2 1/2	212	79	34	24
3	213	92	39	24
4	255	114	45	27
5	286	164	49	33
6	286	164	49	33



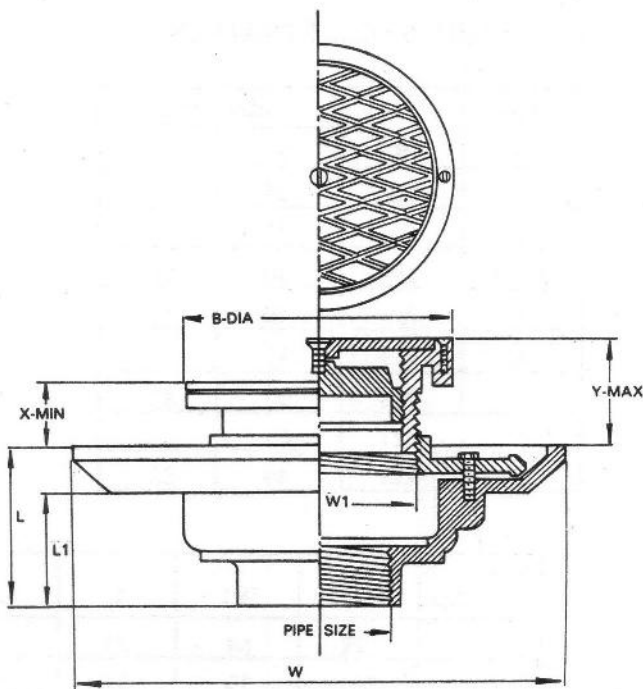


**FLOOR CLEANOUT**



**FLOOR CLEANOUT MODEL 425**

Pipe Size	W	W1	L	L1
2	199	119	100	53
2 1/2	199	119	100	53
3	199	119	100	53
4	199	119	100	53
5	267	186	102	51
6	267	186	102	51

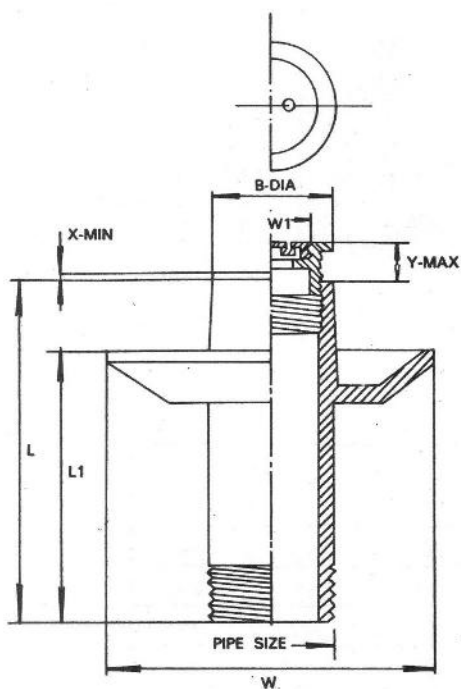


**FLOOR CLEANOUT MODEL 427**

**ADJUSTABLE STRAINER**

Pipe Size	B	Adjustment	
		X	Y
1 1/2	151	38	67
2	151	38	67
3	151	38	67
4	151	38	67
5	221	54	92
6	221	54	92
8	221	54	92

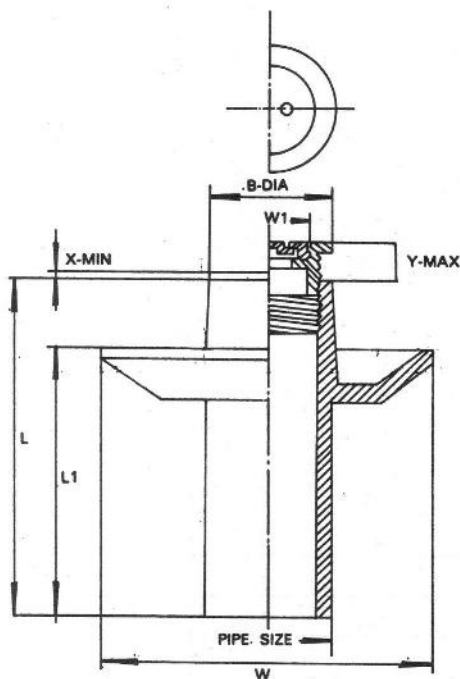
Pipe Size	W	W1	L	L1
1 1/2	229	108	78	61
2	229	108	78	61
3	229	108	78	61
4	229	108	78	61
5	272	158	78	61
6	272	158	78	61
8	328	158	102	80



**FLOOR CLEANOUT MODEL 428**

ADJUSTABLE STRAINER			
Pipe Size	B	Adjustment	
		X	Y
1 1/2			
2	65	2	18
2 1/2			
3	87	2	18
4	111	2	18
5			
6	162	3	20

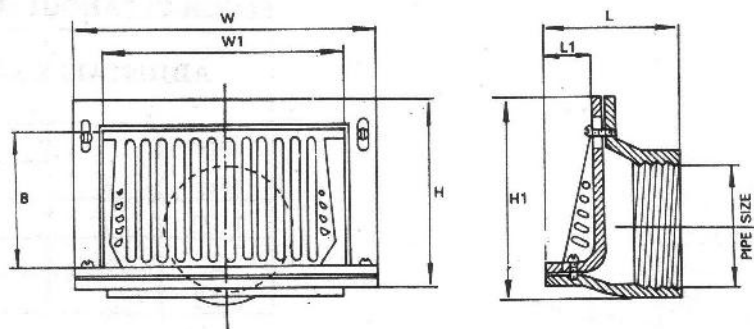
Pipe Size	W	W1	L	L1
1 1/2				
2	118	47	250	210
2 1/2				
3	149	68	250	213
4	165	93	252	217
5				
6	216	139	252	222



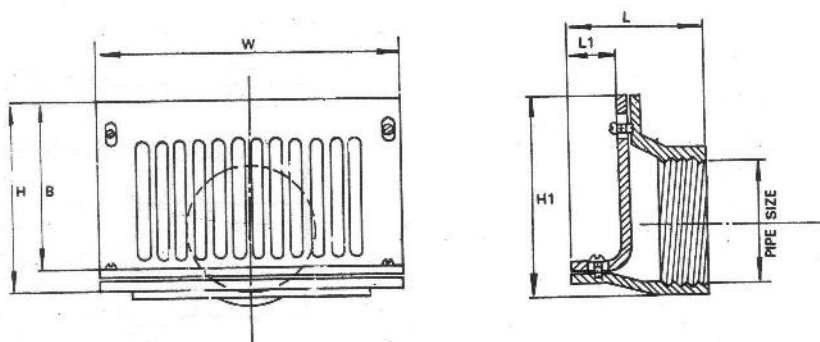
**FLOOR CLEANOUT MODEL 429**

ADJUSTABLE STRAINER			
Pipe Size	B	Adjustment	
		X	Y
1 1/2			
2	65	2	18
2 1/2			
3	87	2	18
4	111	2	18
5			
6	162	3	20

Pipe Size	W	W1	L	L1
1 1/2				
2	118	47	250	210
2 1/2				
3	149	68	250	213
4	165	93	252	217
5				
6	216	139	253	222

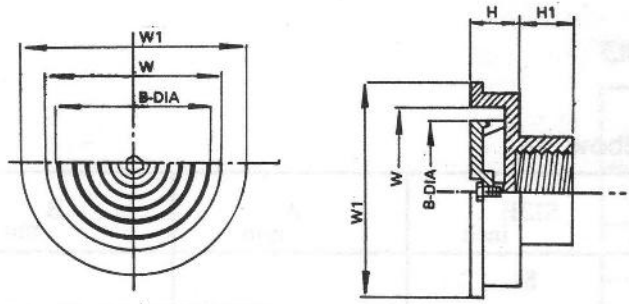
**SCUPPER DRAIN MODEL 621**

PIPE SIZE	B	H	H1	L	L1	W	W1
2	122	170	185	177	100	265	190
2 1/2	122	170	185	177	100	265	190
3	122	170	185	177	100	265	190
4	122	170	185	177	100	265	190
5	160	225	233	200	115	315	241
6	160	225	233	200	115	315	241

**SCUPPER DRAIN MODEL 622**

PIPE SIZE	B	H	H1	L	L1	W
1 1/2	74	82	89	110	47	120
2	74	82	89	110	47	120
2 1/2	74	82	89	110	47	120
3	75	87	111.5	120	50	130
4						
5						



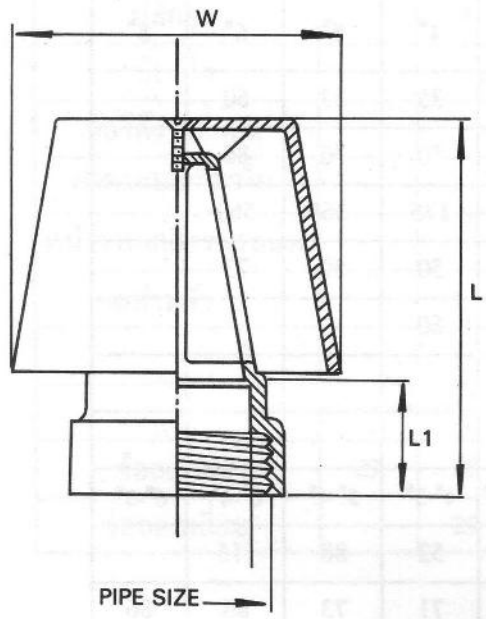


**AIR VENT CAP MODEL 721**

Pipe Size	W	H	H1	B	W1	FREE AREA(cm <sup>2</sup> )
1 1/2	118	27	28	109	136	114
2	118	27	28	109	136	114
2 1/2	129	27	35	108	144	136
3	178	27	35	165	197	260
4	178	27	35	165	197	260
5	216	34	48	195	238	380
6	216	34	48	195	238	380

**AIR VENT CAP MODEL 722**

ADJUSTABLE STRAINER	
Pipe Size	Free Area (cm <sup>2</sup> )
1 1/2	9.5
2	17
2 1/2	38.5
3	38.5
4	69.5
5	105.5
6	147



Pipe Size	W	L	L1
1 1/2	143	118	50
2	143	118	50
2 1/2	205	205	68
3	205	205	68
4	205	205	68
5	274	284	84
6	274	284	84